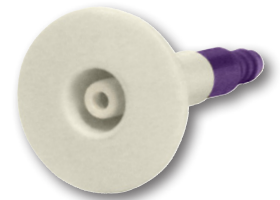


Low Profile Pressure Pickup Port

Accessories for HVAC/R

The Automated Logic Low Profile Pressure Pickup Port is ideal for locations where aesthetics are as important as the pressure measurement. The only visible portion is a flush 7/8" dot on the wall. The brass fitting on the back accommodates standard 1/8" to 5/32" I.D. tubing.



Low Profile Pressure Pickup Port

Key Features

- Economical & Easy to Install
- 80 Micron Filter
- Accommodates 1/8" I.D. to 5/32" I.D. Tubing

Part Number

NSB-ZPS-ACC20-A

Description

Low Profile Pressure Pickup Port

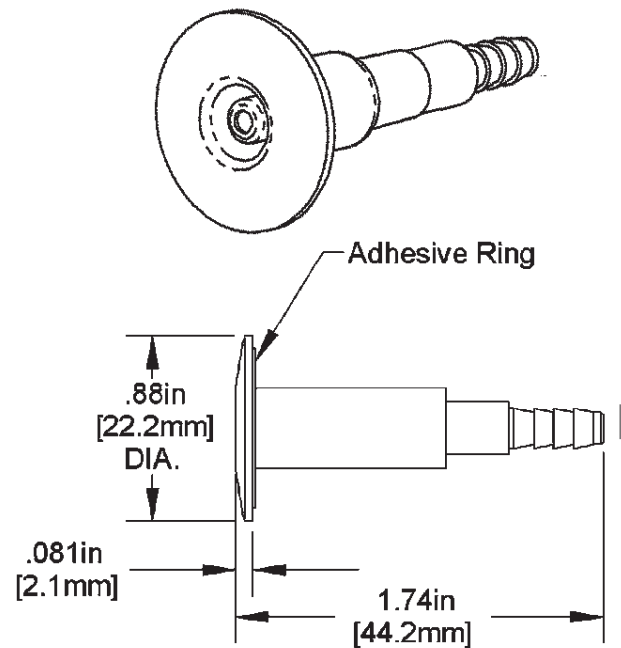
Specifications

Environmental Operation Range:

- Temp: -40 to 185°F (-40 to 85°C)
- Humidity: 0% to 100% RH, non-condensing

Material

- ABS Plastic, UL 94, V-0



NSB-ZPS-ACC20-A



The WebCTRL® building automation system gives you the ability to understand your building operations and analyze the results. The WebCTRL system integrates environmental, energy, security and safety systems into one powerful management tool that allows you to reduce energy consumption, increase occupant comfort, and achieve sustainable building operations. Our web-based platform allows building managers to control and access information about their HVAC, lighting, central plant and critical processes on premises or remotely at any time of day.

