

Refrigerant Leak Detector

Accessory for HVAC/R

The Automated Logic Refrigerant Leak Detector measures the amount of R404A, R410A, R22, and/or R134A present. The Leak Detector measures leaks and spills; it is not intended for critical ppm measurements. Voltage trip levels for R22, R404A, R410A, or R134 leaks and spills are shown in the table. The sensor is temperature compensated for an accurate and reliable measurement.

Features

- Measures All Modern Refrigerants
- Measures Leaks and Spills
- Voltage Output
- Cost Effective



Refrigerant Leak Detector in a Box Enclosure

Part Number	Description
NSB-RLD-A	Refrigerant Leak Detector in a Box Enclosure

Specifications

Power:

9 to 40 VDC at 120mA max

19 to 32 VAC at 5 VA

Output Impedance:

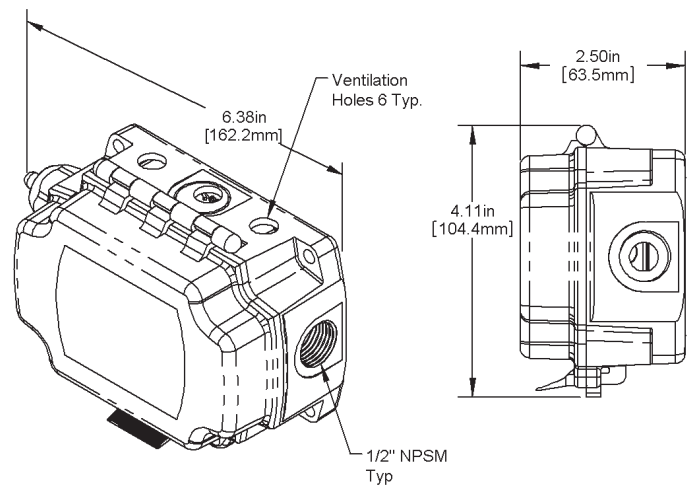
680 Ohms

Operating Environment:

0 to 70° C (32 to 140° F)

Output Voltage for Specific Refrigerants:

Refrigerant	Voltage Trip Level
R22	2.5 VDC @ 500 ppm
R404A	4.5 VDC @ 500 ppm
R410A	2.5 VDC @ 500 ppm
R134A	1.8 VDC @ 500 ppm



The WebCTRL® building automation system gives you the ability to understand your building operations and analyze the results. The WebCTRL system integrates environmental, energy, security and safety systems into one powerful management tool that allows you to reduce energy consumption, increase occupant comfort, and achieve sustainable building operations. Our web-based platform allows building managers to control and access information about their HVAC, lighting, central plant and critical processes on premises or remotely at any time of day.

