

ZS DUCT SENSORS



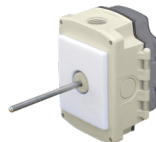
COMMUNICATING DUCT SENSORS

The Automated Logic® ZSD/ZSA line of communicating duct sensors are designed to measure the air temperature and/or humidity in ductwork. All duct sensors feature closed cell foam to seal the insertion hole and to absorb vibration. Mounting tabs allow for easy installation onto the wall of the duct. The units are built to withstand high humidity and condensation environments.

The ZSD/ZSA duct sensors connect directly to the dedicated sensor network (Rnet) of an Automated Logic controller. This communicating sensor network supports up to 15 x ZSD/ZSA sensors through a single port, eliminating the need to consume multiple inputs on the controller.



**ZS Duct
Temperature Sensor**



Back Mount



**ZS Duct
Temp + Humidity Sensor**



Back Mount



**ZS Duct
Averaging Sensor**



Back Mount



The WebCTRL building automation system gives you the ability to understand your building operations and analyze the results. Integrate environmental, energy, security and safety systems into one powerful management tool that helps you reduce energy consumption, increase occupant comfort, and achieve sustainable building operations.

ORDERING INFORMATION

Part # (Back Mounting)	Part # (Side Mounting)	Description	Sensing	Probe Length
ZSD-B-4-6-B	ZSD-S-4-6-B	ZS Duct, Temp Only, 4" probe	Temp	4" (inches)
ZSD-B-8-6-B	ZSD-S-8-6-B	ZS Duct, Temp Only, 8" probe	Temp	8" (inches)
ZSD-BH-6-6-B	ZSD-SH-6-6-B	ZS Duct, Temp + Humidity	Temp/Humidity	6" standard
ZSA-B-8-6-B	ZSA-S-8-6-B	ZS Averaging, 8' probe	Temp	8' (feet)
ZSA-B-12-6-B	ZSA-S-12-6-B	ZS Averaging, 12' probe	Temp	12' (feet)
ZSA-B-24-6-B	ZSA-S-24-6-B	ZS Averaging, 24' probe	Temp	24' (feet)

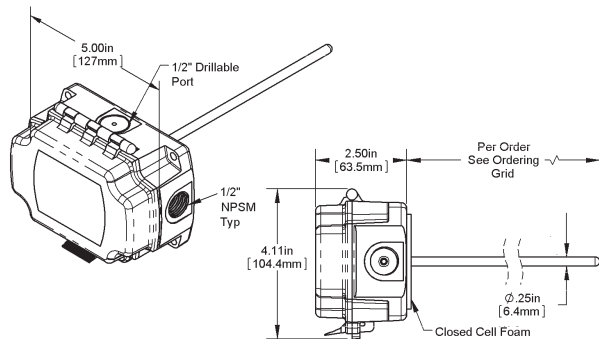
SPECIFICATIONS

Sensing Element	Specifications
Temperature (sensing element)	Range: -20° F to 120° F (-5° C to 50° C), Accuracy: ±.36° F (0.2° C)
Temperature (system)	Range: -20° F to 120° F (-5° C to 50° C), Accuracy: ±.9° F (0.5° C)
Humidity	Range: 10-20%, Accuracy: Humidity calibrated at 73° F / 23° C, ±20% typical (0.5° C) - Less than 0.5% drift per year
Power Requirements	12 Vdc @ 6 mA
Power Supply	A controller supplies the Rnet sensor network with 12 Vdc @ 210 mA. Additional power may be required for your application. See ZS Sensor Installation Guide
Communication	115 kbps Rnet connection between sensor(s) and controller 15 sensors max per Rnet network; 5 sensors max per control program
Local Access Port	For connecting a laptop computer to the local equipment for maintenance and commissioning
Environmental Operating Range	-40° to 158° F (-40° to 70° C), 0% to 100% relative humidity, non-condensing
Enclosure	Material: Polycarbonate, UL94V-0, Rating: NEMA, IP66, UV rated
Probe Dimensions	Temperature Only: 304 S/S, 0.25" (0.64 cm) diameter, Length specific to part ordered Temperature/Humidity: ABS with SS Filter, 1.0" (2.5 cm) Diameter, 5.3" (13.5 cm) Length
Mounting	Duct mount with #8 sheet metal screws.
Regulatory	FCC Part 15-Subpart B-Class B, CE

Figure 1: Physical Dimensions



TEMPERATURE SENSOR



TEMPERATURE/HUMIDITY SENSOR

