

# ZS OUTDOOR AIR SENSORS



The Automated Logic® ZSO line of communicating outdoor air sensors are designed to measure the air temperature and/or humidity outdoors. Designed for outdoor mounting, the UV-resistant plastic shield keeps the sensor out of the sunlight and allows for excellent air circulation. These outdoor sensors have etched Teflon® lead wires and can withstand high humidity and condensation environments. They are made to perform in a wide range of temperature and moisture conditions.

The ZSO sensors connect directly to the dedicated sensor network (Rnet) of an Automated Logic controller. This communicating sensor network supports up to 15 x ZSO sensors through a single port, eliminating the need to consume multiple inputs on the controller.

## BENEFITS

- **Effortless Integration:** Seamlessly integrates with the WebCTRL® building automation systems, allowing for easy installation and configuration within your existing system.
- **Reliable Performance:** Provides accurate and consistent temperature and humidity readings in various weather conditions, ensuring dependable data for informed decision-making.
- **Simplified Design:** Connect up to 15 sensors on a single controller port, reducing wiring complexity and installation time for a more streamlined and efficient setup.
- **Durable Construction:** Features a NEMA 4, IP66, UV-rated enclosure, ensuring long-lasting performance and reliable operation even in harsh outdoor environments.
- **Optimized Efficiency:** Delivers precise outdoor air data to the i-Vu system, enabling optimal HVAC control, improved energy savings, and enhanced occupant comfort.
- **Reduced Costs:** Lowers installation and operating costs through simplified design, optimized energy consumption, and minimal maintenance requirements.
- **Compliance:** Aids in meeting FCC Part 15-Subpart B-Class B and CE regulatory standards, for compliance and reliable operation.

**ZSO Outdoor Temperature Sensor**



**ZSO Outdoor Temperature/Humidity Sensor**



The WebCTRL building automation system gives you the ability to understand your building operations and analyze the results. Integrate environmental, energy, security and safety systems into one powerful management tool that helps you reduce energy consumption, increase occupant comfort, and achieve sustainable building operations.

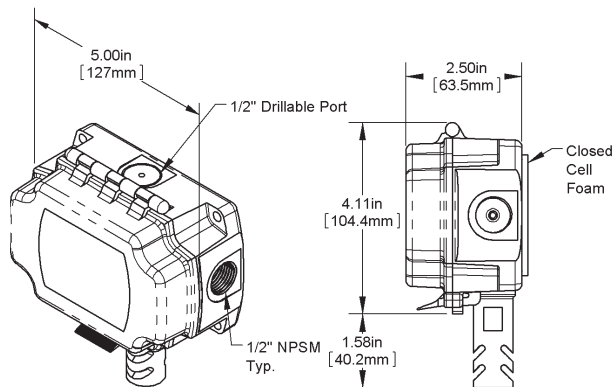
# SPECIFICATIONS

Part #	Description	Sensing	Probe length
ZSO-S-2-6-B	ZS Outside Air Sensor, Temp Only. Protective sheath covering in IP65 enclosure	Temp	2" (inches)
ZSO-SH-2-6-B	ZS Outside Air Sensor Temp + Humidity (2%) in IP65 enclosure	Temp/Humidity	4" (inches)

Sensing Element	Specifications
Temperature (system)	Range: -40° F to 158° F (-40° C to 70° C), Accuracy: ±1.3° F (0.72° C)
Humidity	10% to 90%, ±2.0% typical at less than 0.5% drift per year. Calibrated at 73.4°F (23°C).
Power Requirements	12 Vdc @ 6 mA
Power Supply	A controller supplies the Rnet sensor network with 12 Vdc @ 210 mA. Additional power may be required for your application. See ZS Sensor Installation Guide
Communication	115 kbps Rnet connection between sensor(s) and controller 15 sensors max per Rnet network; 5 sensors max per control program
Local Access Port	For connecting a laptop computer to the local equipment for maintenance and commissioning
Enclosure	<b>Material:</b> Polycarbonate, UL94V-0, <b>Rating:</b> NEMA, IP66, UV rated
Probe	304 S/S 0.25" (0.64 cm) diameter Length specific to part ordered
Mounting	Wall Mount with #8 sheet metal screws
Regulatory	FCC Part 15-Subpart B-Class B, CE



### Temperature Sensor



### Temperature/Humidity Sensor

