

#10488 – 1/9/19

Overview

The Wall Adapter Plate is designed to cover wall imperfections when installing wall sensors or thermostats. The adapter plate is available in the two sizes shown below. The adapter plate can be painted or wall papered.

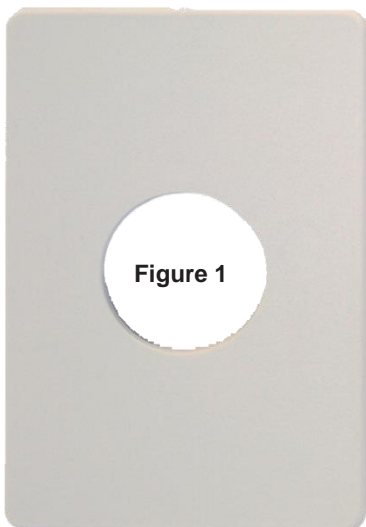


Figure 1

7 in. x 5.25 in.
(177.8 mm x 133.4 mm)

Part #s:
NSB-ADP-525-7-OFW
NSB-ADP-525-7-BW



Figure 2

5.3 in. x 5.3 in.
(134.6 mm x 134.6 mm)

Part #s:
NSB-ADP-53-53-OFW
NSB-ADP-53-53-BW

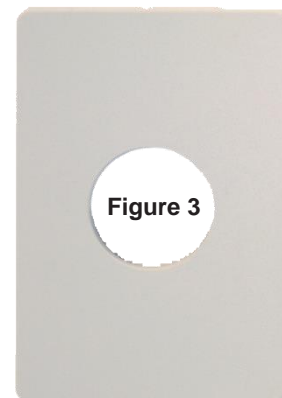


Figure 3

5.5 in. x 3.75 in.
(139.7 mm x 95.3 mm)

Part #s:
NSB-ADP-37-55-OFW
NSB-ADP-37-55-BW

Specifications

Material	ABS plastic, Flame-retardant
Agency	UL94V-0
Application	Horizontal or Vertical
Mounting	Drywall, US back box or European EU back box Rear indents mark custom holes for drilling
Color	OFW=Off White, BW=Bright White
Dimensions	3/16" thick. See other dimensions on next page.
Holes	Center wire-way hole 1.67" diameter
Surface	Textured face, Mold-tech spec M11040
Paintable	Field applied, Latex recommended

Mounting Notes

- The Adapter Plate can be mounted vertically or horizontally.
- All mounting holes are filled and must be drilled out for the application.
- When drilling pilot holes for the mounting screws, always drill from the backside of the plate. The pilot holes should be no larger than 9/64".
- Color matching screws are included in every package for use when mounting screws will be visible..

Specifications subject to change without notice.

Mounting Dimensions

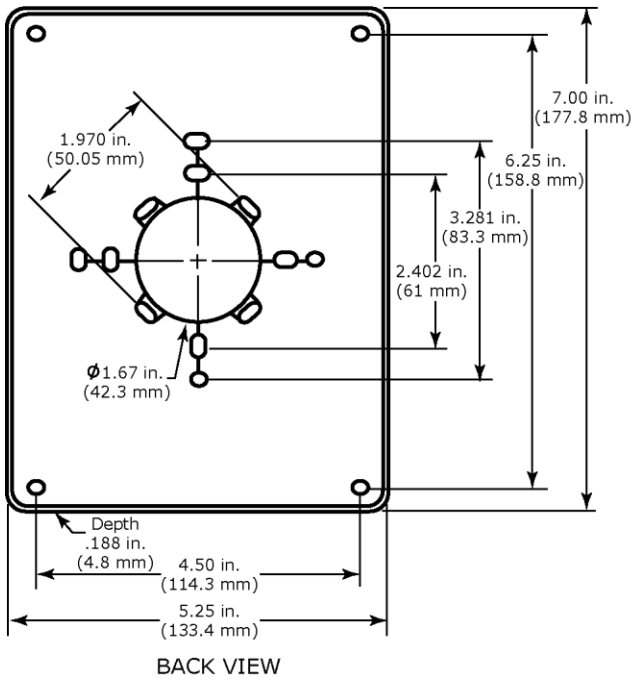


Figure 4: Part #NSB-ADP-525-7

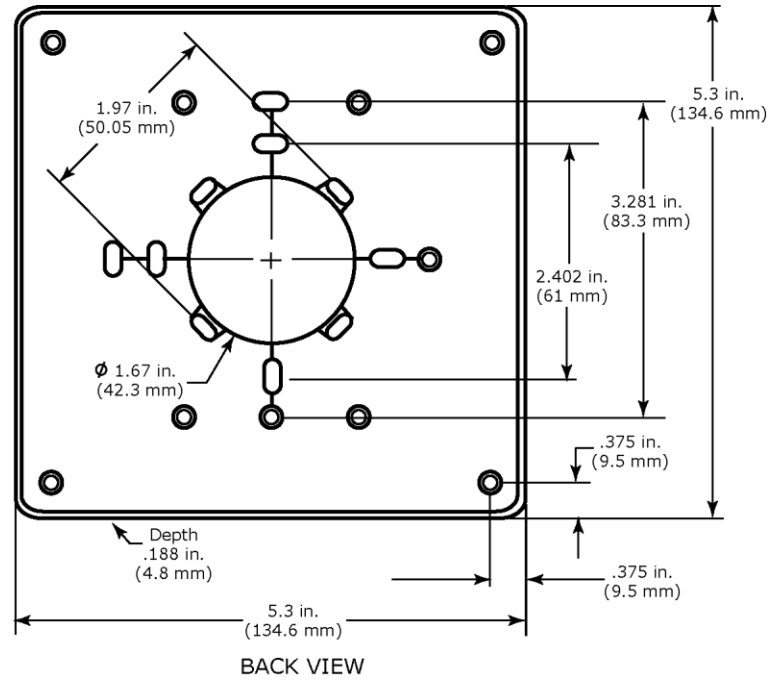


Figure 5: Part #NSB-ADP-53-53

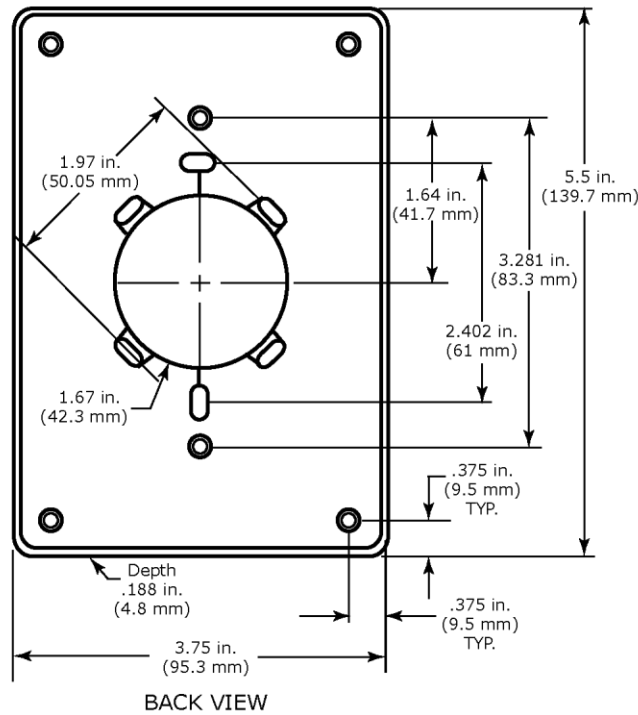


Figure 6: Part #NSB-ADP-37-55

Specifications subject to change without notice.