

#14358 – 2/5/18

How It Works

Building static pressure is the pressure difference between the inside and the outside of a building. The outdoor static pressure is the atmospheric pressure at the building site. The building may have positive, neutral, or negative pressure with respect to the outside atmosphere. Differences in pressure are due to powered supply or exhaust fans and are usually less than 0.1 inches of water.

Measuring building static pressure is complicated by the dynamic action of the wind. A breeze of 10 MPH provides a pressure of 0.048 inches of water, a gale of 40 MPH is 0.772 inches, and a hurricane of 75 MPH is 2.716 inches. Clearly, the wind's pressure may be more than the desired building static pressure. Measuring the wind's pressure instead of the true outdoor static pressure will radically alter the actual static pressure reading.

Mounting the unit with the plate parallel to the earth's surface, as shown in Figure 2, allows the predominantly horizontal flow of the wind an omni-directional entry between the plate and the housing. The plate forces the wind to move perpendicularly to the pressure orifice in the housing, irrespective of the wind's direction, greatly minimizing the dynamic air pressure.

Mounting the unit vertically, as on the side of a rooftop air conditioning unit (RTU), will only provide a true static pressure reading if the wind is blowing within 15 to 20 degrees of the direction of the opening. If the wind is blowing at a vertically-mounted Outdoor Air Static Pressure Pickup Port, it will pile up, providing a higher than correct static pressure reading. If the wind is blowing away from the sensor it will be in the wake of the RTU, providing a lower than correct static pressure reading.

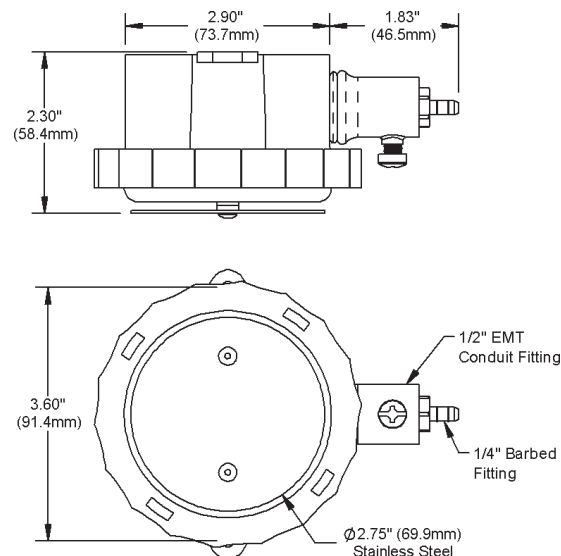


Figure 1: Outdoor Air Static Pressure Pickup Port
Part # NSB-ZPS-ACC10

Mounting

The Outdoor Air Static Pressure Pickup Port should be mounted at least 12 inches above surrounding obstacles so that you get the true static pressure reading. Automated Logic® supplies a brass bulkhead fitting to get your pressure signal inside the building envelope, the user supplies all necessary pressure tubing and the 1/2 inch EMT conduit mounting support.

Mount the unit so that other equipment on the building cannot physically or mechanically obstruct it. Do not mount under awnings or other projections within 15 feet. If the unit cannot be roof mounted with an unobstructed view of the horizon, then do not mount near economizers, intake or exhaust fans, or barometric dampers. Do not mount near building corners. Mount near the center of the building away from balconies and opening windows. Mount at least 24 inches from the wall.

#14358 – 2/5/18

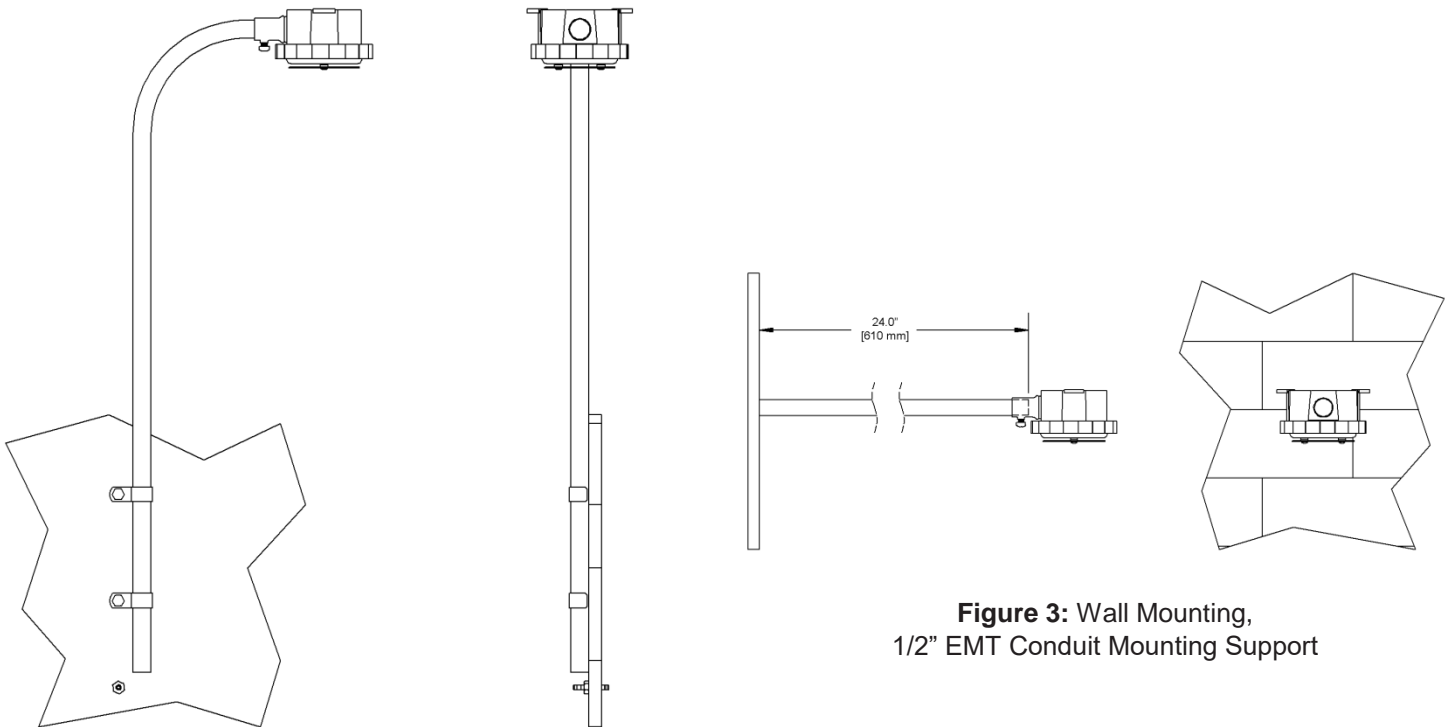


Figure 2: Preferred Mounting,
1/2" EMT Conduit Mounting Support

Figure 3: Wall Mounting,
1/2" EMT Conduit Mounting Support

Preferred Mounting

Figure 2 shows the Outdoor Air Static Pressure Pickup Port mounted on an RTU or air handler. A mounting support is field-fabricated from a piece of 1/2-inch EMT conduit bent to 90 degrees as shown. A short leg mounts the Static Pressure Pickup Port. A long leg mounts the assembly to the side of the mechanical equipment. The length of the long leg is dependent on your installation site; just be sure that the Static Pressure Sensor is at least 12 inches above the top of the equipment. If you are mounting on mechanical equipment with a condenser fan or a building air discharge, mount the Static Pressure Pickup Port on the opposite end of the equipment. It is best to mount it to the compartment that contains the controls; usually there is a hole in the compartment into the building envelope for control wiring.

Drill two holes in the sheet metal for the EMT conduit support brackets. Bolt the EMT conduit mounting support to the side of the equipment. Place enough tubing on the Outdoor Air Static Pressure Pickup Port's barbed fitting to reach beyond the end of the EMT conduit mounting support. Slide the tubing down the inside of the EMT conduit and slide the Static Pressure Pickup Port's conduit fitting onto the EMT conduit. Position the Static Pressure Pickup Port with the plate down and parallel to the earth's surface. Tighten the Static Pressure Pickup Port's conduit fitting's screw until the unit is secure on the EMT mounting support.

Drill a 5/16-inch hole in the sheet metal near the bottom of the EMT conduit mounting support for the bulkhead fitting. Place the fitting through the sheet metal from the outside so that the nut is on the inside, and then tighten the nut securely but do not over tighten. Place the tubing coming out the bottom on the EMT conduit mounting support onto the bulkhead fitting. Place up to 150 feet of tubing on the bulkhead fitting's inside port and run the tubing into the building to your pressure transducer. We recommend using a Pressure Sensor to measure the building static pressure.