

**Identification and Overview**

- Prevents Tampering, Damage and Unauthorized Adjustment
- Exceptional Airflow for Proper Thermostat Operation
- Made from Thick, Durable Polycarbonate
- Key Lock Protected
- Low Profile Design with Two Sizes to Fit Most Thermostats
- Horizontal or Vertical Mounting with Hardware Included

The Thermostat Guard prevents tampering, physical damage and unauthorized adjustment of thermostats. The attractive, low profile design is available in two sizes to fit most thermostats. It is made of thick, durable polycarbonate and features exceptional airflow, key lock protection, horizontal or vertical mounting and easy installation with hardware included.



**Part #s:**

**N1-BG-A**

**NSB-BG2-A**

**Specifications**

<b>Material</b> .....	Impact resistant Polycarbonate	<b>Color</b> .....	Clear center w/ etched side wall
<b>Construction</b> .....	Two piece, (Base & removable Cover)	<b>Agency</b> .....	UL 94, V-0, RoHS
<b>Venting</b> .....	360° using base channels and multiple 1/4" Ovals	<b>Mounting Hole Spacing</b> ...	5.32" X 6.13" (135 X 155.8 MM)
<b>Lock</b> .....	Key operated cylinder w/hook latch	<b>Typical Thermostats Accommodated</b>	
<b>Key</b> .....	Two keys included	Guard .....	BA/BS, BA/AQS-R, BA/420COB-Stat
<b>Replacement Key</b> .....	BA/KEY16187	Honeywell .....	T7300, T7350, T7560, TH8000, THx200, C7232A
<b>Mounting</b> .....	Four tabs in the base ring	Viconics - PECO .....	VT7600, VT7300, VT7200 - T170 JCI T600, A350, W351, P352, A319, A19ABC, A28AA
<b>Hardware Included</b> .....	2-keys, Four #10-1.5" drywall screws Four #10-1.5" concrete screws	Telaire-Kele .....	8000, 9200 - RTC2P, CDAWLCD Vaisala - GEHMW – GEHxS, EHRH
<b>Cleaning</b> .....	Water dampened cotton cloth as needed, (Other chemicals could affect the sensor inside)		
<b>Maintenance</b> .....	None required. (It may be worth checking the mounting screws once a year for tampering.)		

**Dimensional Drawing**

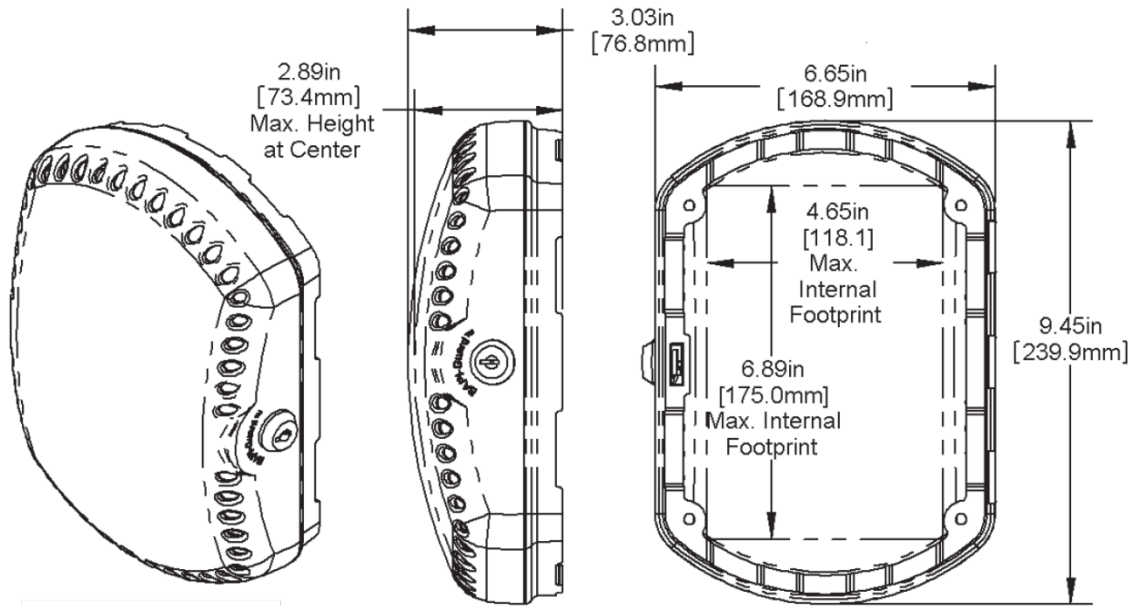


Figure 1: Guard (BG)

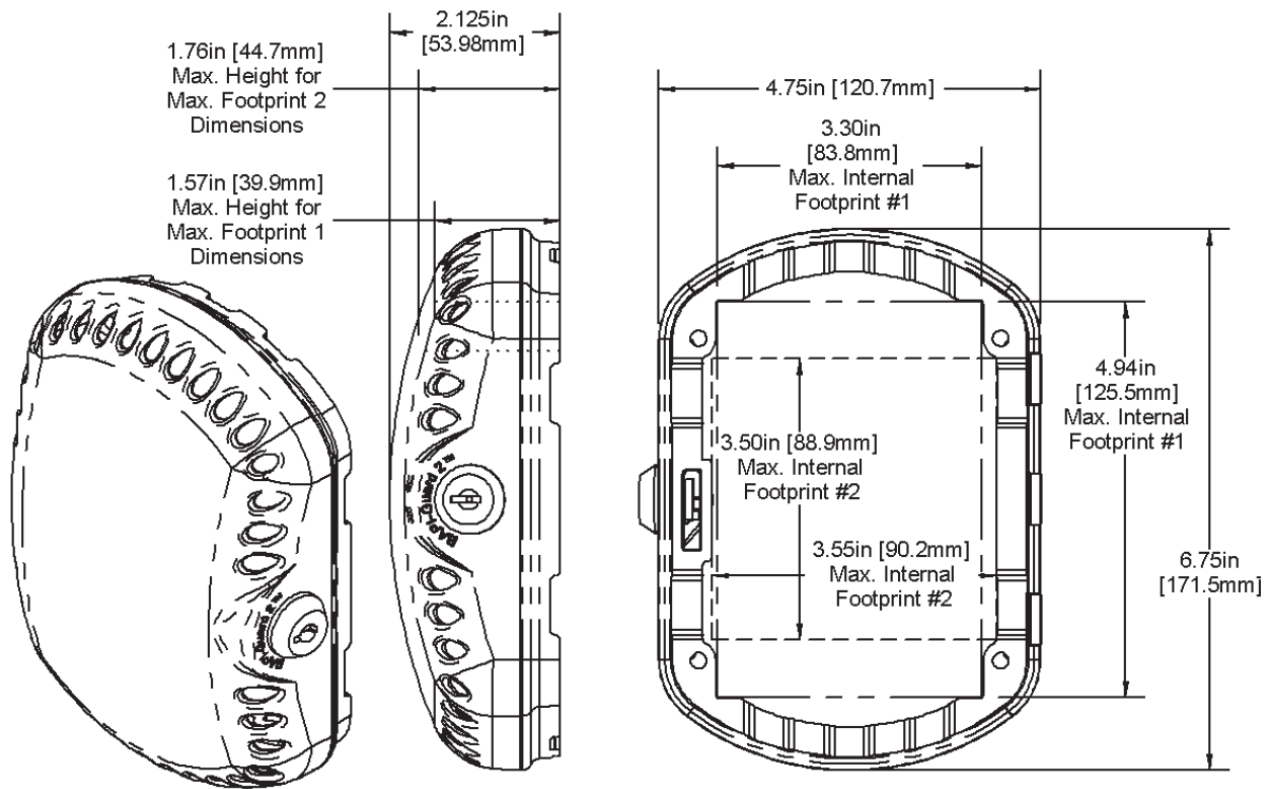


Figure 2: Guard 2 (BG2)

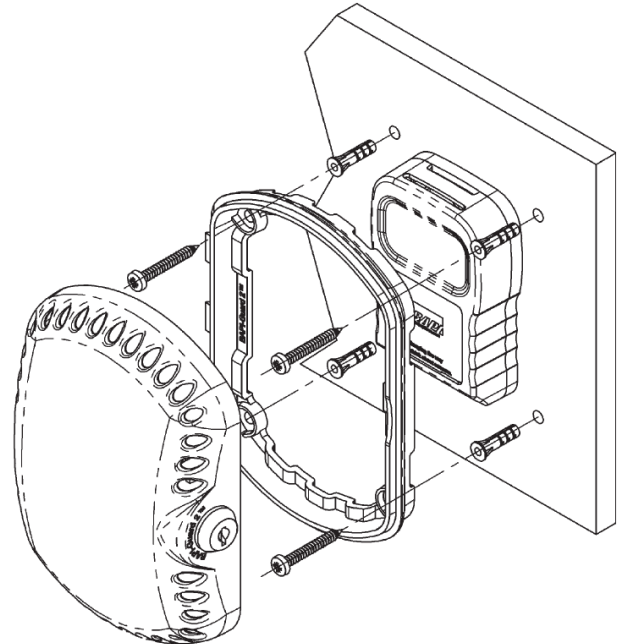
**Mounting**

The Guard’s cover comes off the mounting base; it does not rotate on a hinge. To remove the cover open the lock by rotating the key 1/4 turn clockwise, open the cover about 15 degrees to the base and push off to the “hinge” side.

Place the base over the device to be protected and mark for the mounting holes. Cover device to be protected with a damp towel to prevent dust from getting into protected device.

For drywall, drill four 9/32-inch (7.1mm) holes. Insert the anchors until they are flush with the wall surface. Attach the base to the wall with the drywall screws. (See figure)




For concrete or cinder block, drill four 5/32-inch (4mm) holes, 1-3/4 inch (45mm) deep. Attach the base to the wall with the concrete screws.



**NOTES**

- One key fits all Guard locks.
- You can only remove the key from the Guard lock in the locked position.

**Appendix – Symbols Key**

 <p><b>Warning</b></p>	<p>Potential for death, serious injury, or permanent damage to a system.</p>
 <p><b>Caution</b></p>	<p>Potential for injury, damage to a system, or system failure.</p>
 <p><b>Tip</b></p>	<p>Useful information not related to injury or system damage.</p>